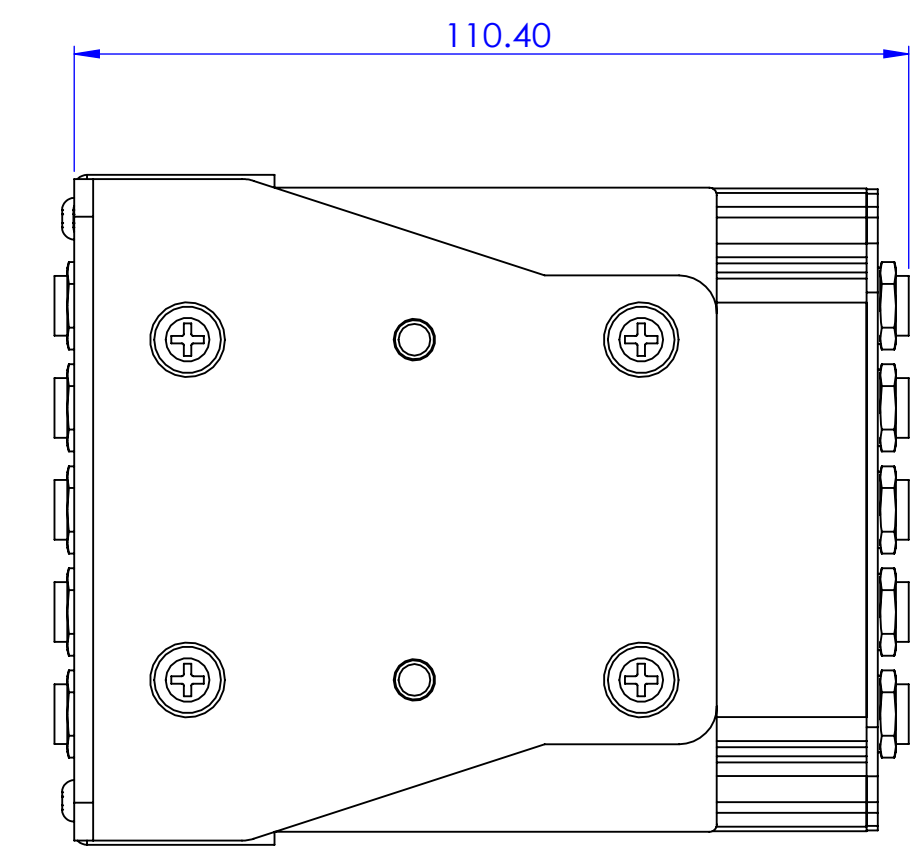
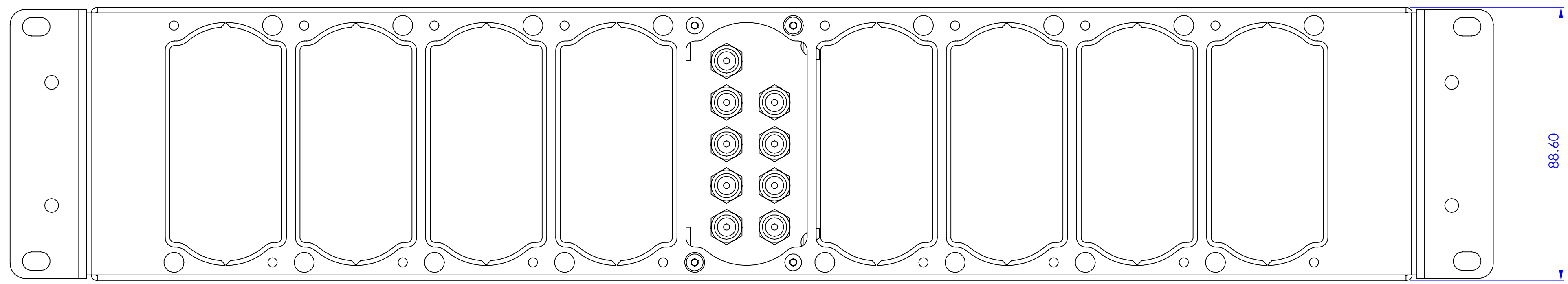
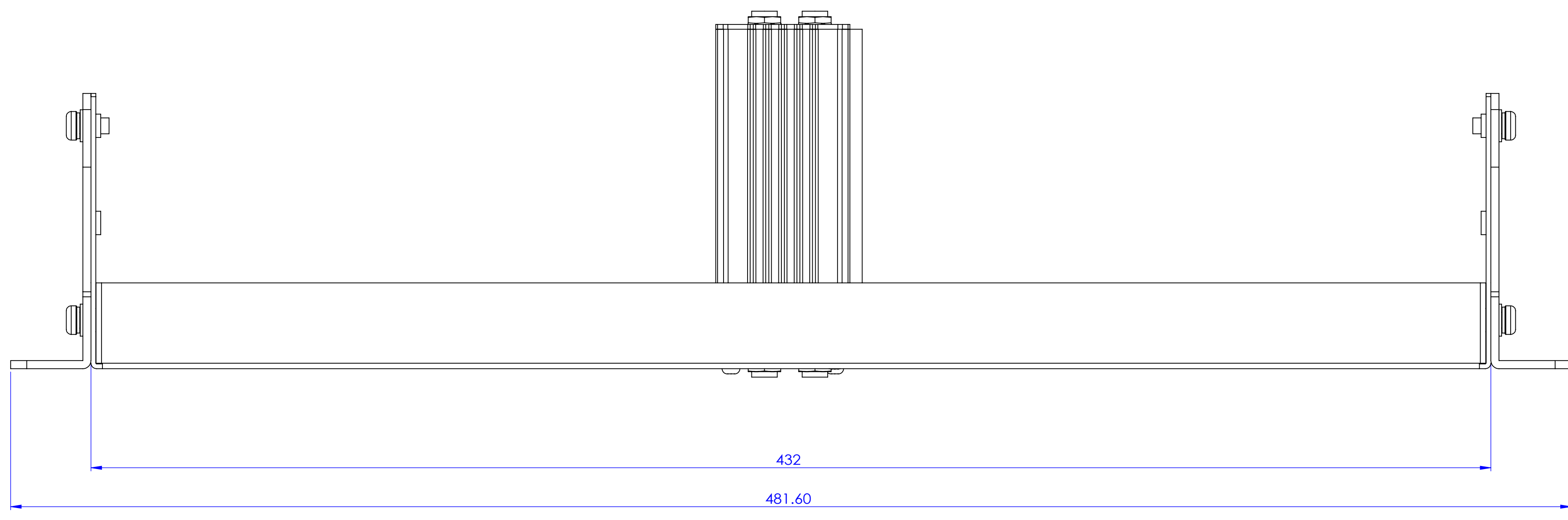
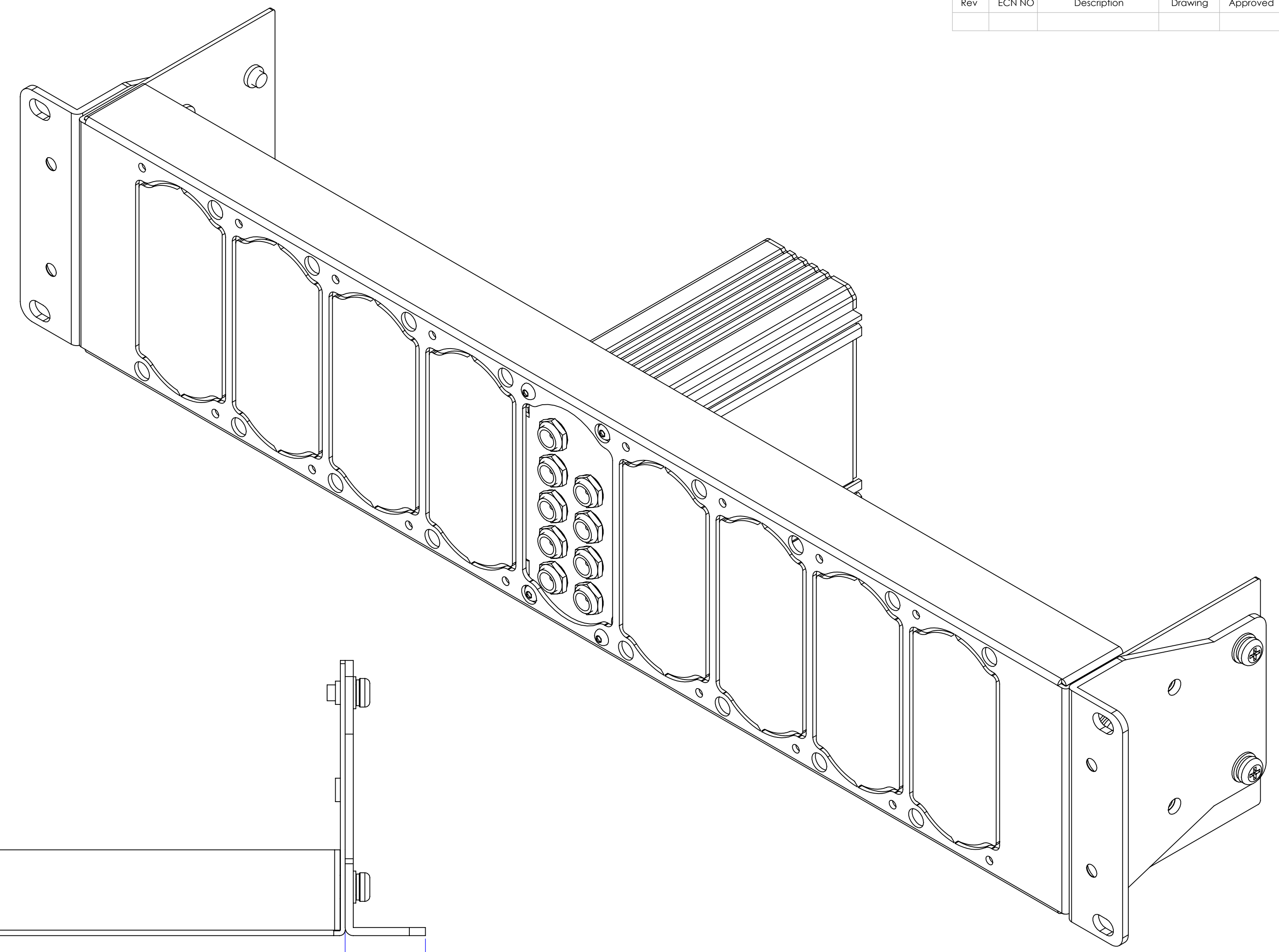


Rev	ECN NO	Description	Drawing	Approved	Date

注意事項:  
 1.未標註尺寸公差請參照Common Tolerance  
 2.標註尺寸加框"±"為重點檢驗尺寸



Common Tolerance		UNLESS OTHERWISE SPECIFIED		Material: XXXXXXX		<b>datavideo</b>	
10mm±	±0.1	DIMENSIONS ARE IN MILLIMETERS		Finish: XXXXXXX		Part Name: RMK-2 Assembly	
10.01-50mm	±0.2	Angles Tolerance: ±0.5°		Part No: XXXXXXX		Model No: VP-691	
50.01-150mm	±0.3	Drawing Design		Check Approved		Unit: mm	
150.01-300mm	±0.4	Michael Michael		Lake		Scale: 1:1	
300.01mm±	±0.5					Date: 2016/4/14	
						QTY: X	