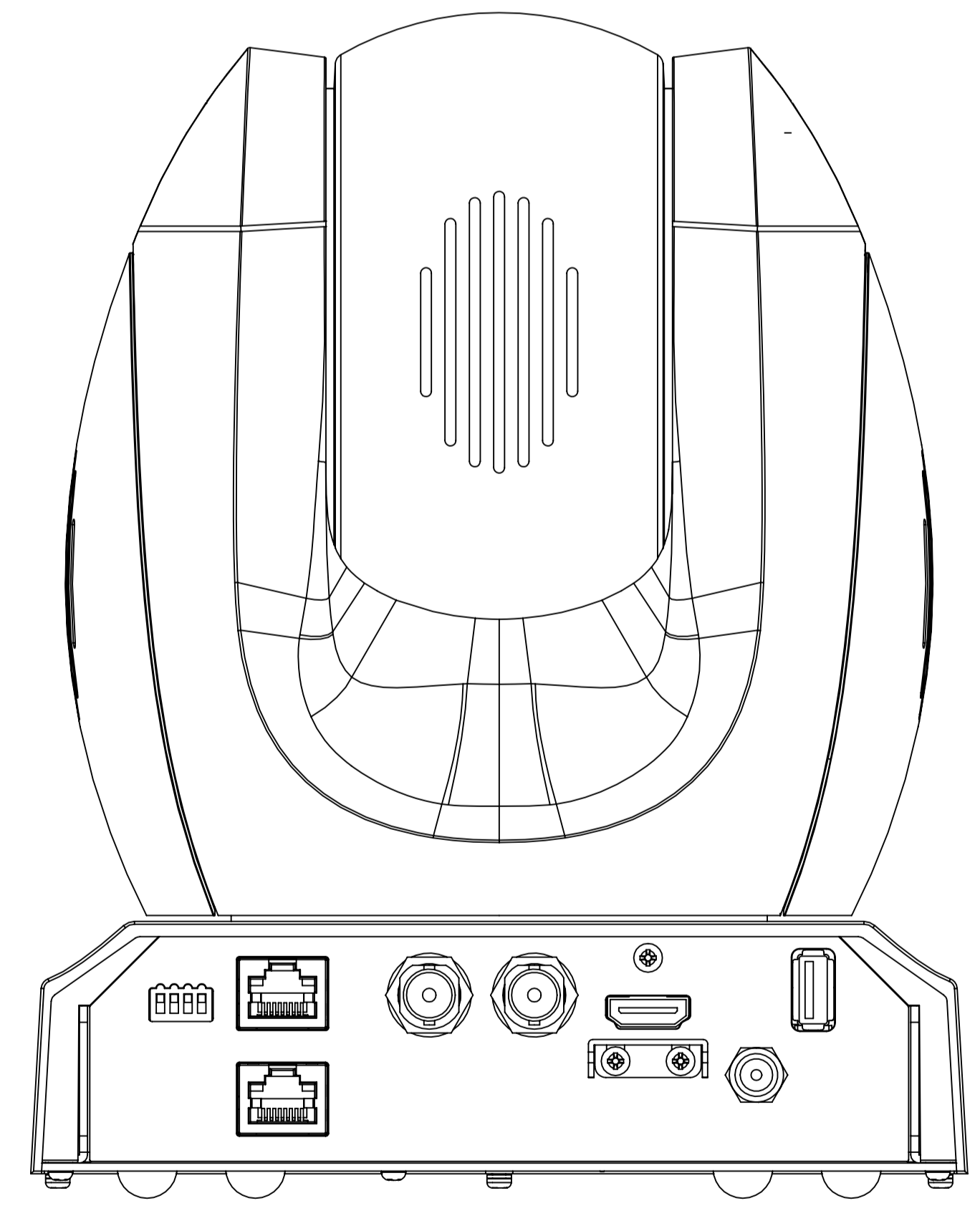
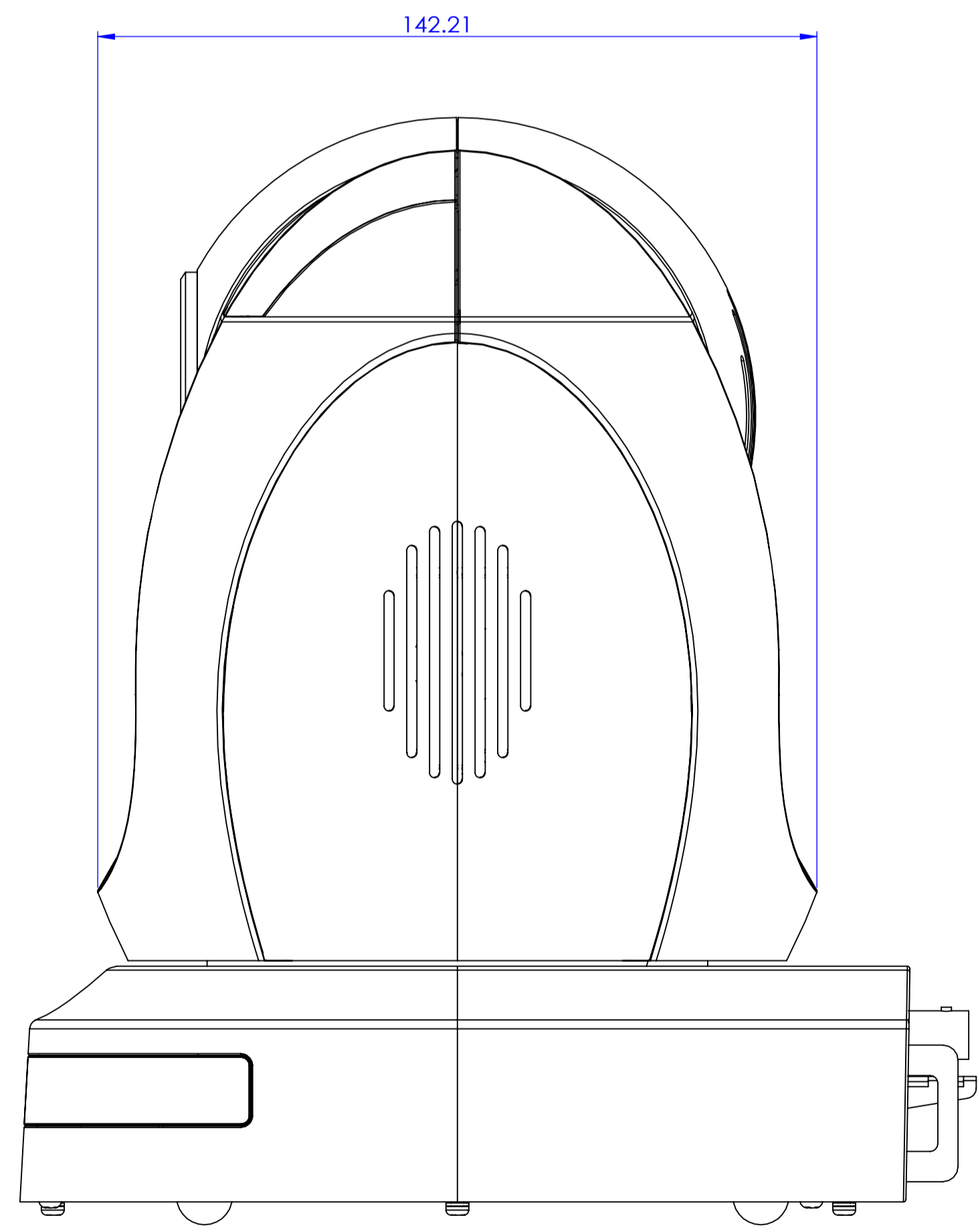
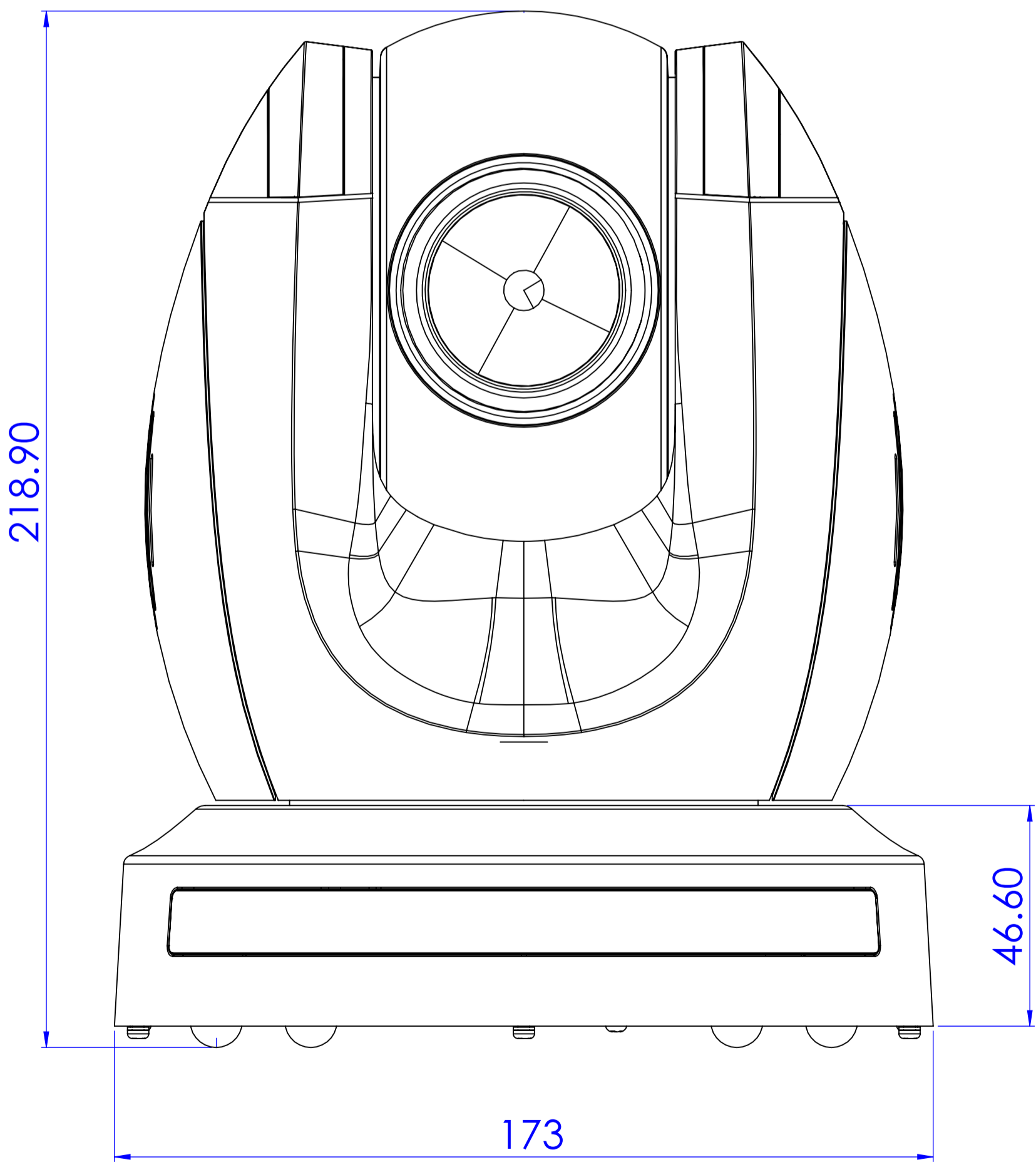
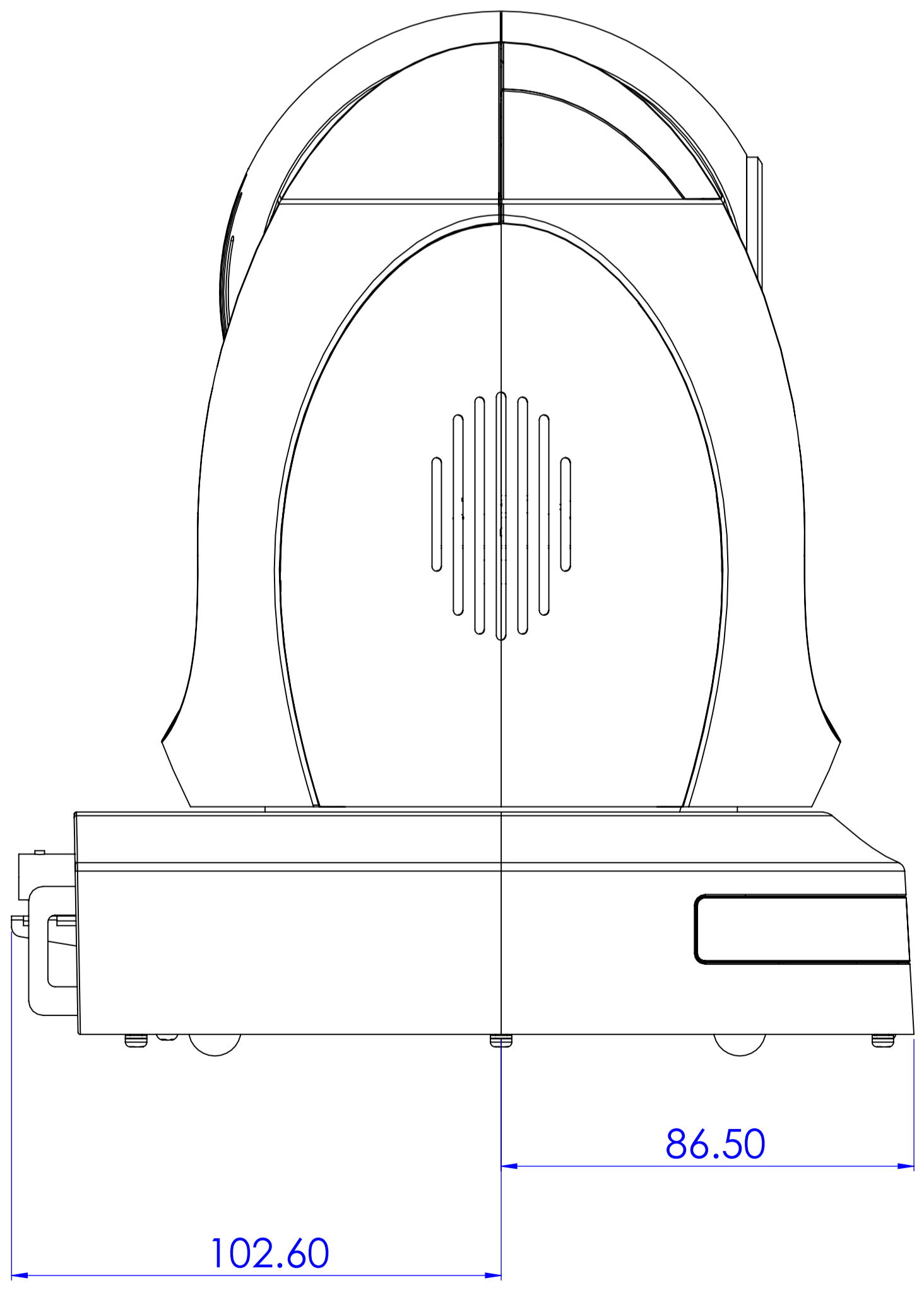
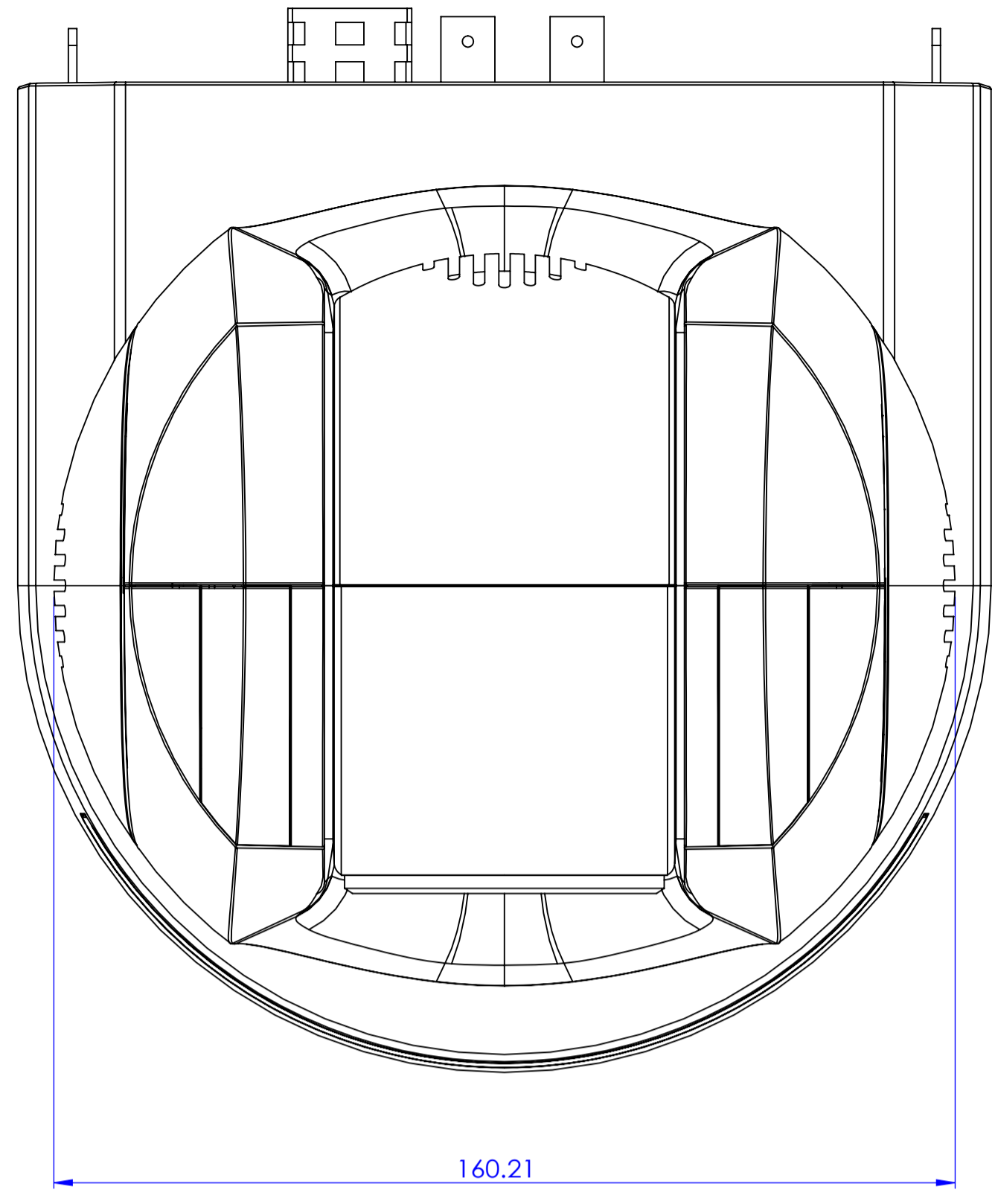


Rev	ECN NO	Description	Drawing	Approved	Date

注意事項:  
 1.未標註尺寸公差請參照Common Tolerance  
 2.標註尺寸加框"在"為重點檢驗尺寸



Common Tolerance	UNLESS OTHERWISE SPECIFIED	Material: XXXXXXXX	<b>datavideo</b>			
10mm以下	±0.1	Finish: XXXXXXXX	Part Name: PTC-150 總組立圖			
10.01-50mm	±0.2	Angles Tolerance: ±0.5°	Part No: XXXXXXXX			
50.01-150mm	±0.3		Model No: XXXXXXXX			
150.01-300mm	±0.4		Unit: mm Scale: 1:2 Date: 2015/8/17 QTY: X			
300.01mm以上	±0.5	Michael	Michael	Lake		