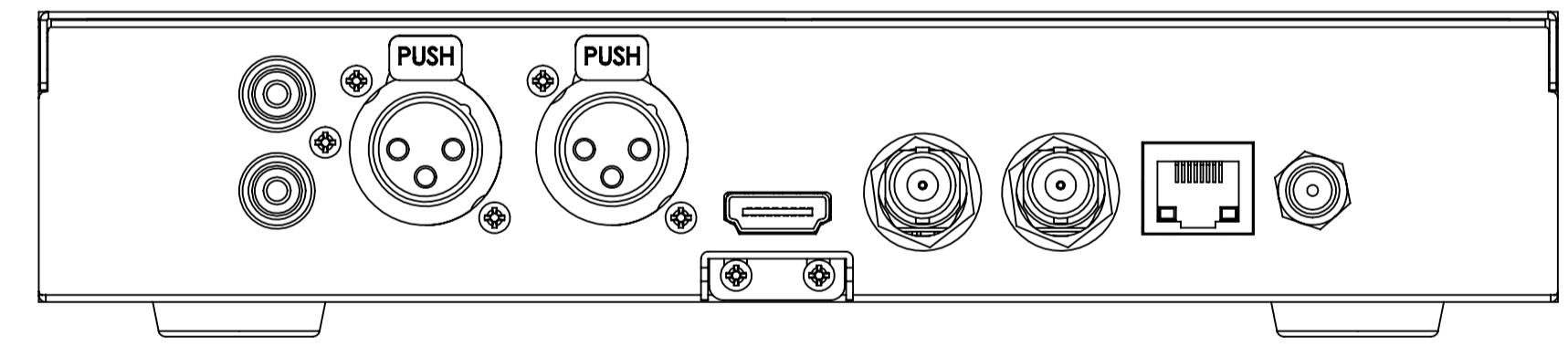
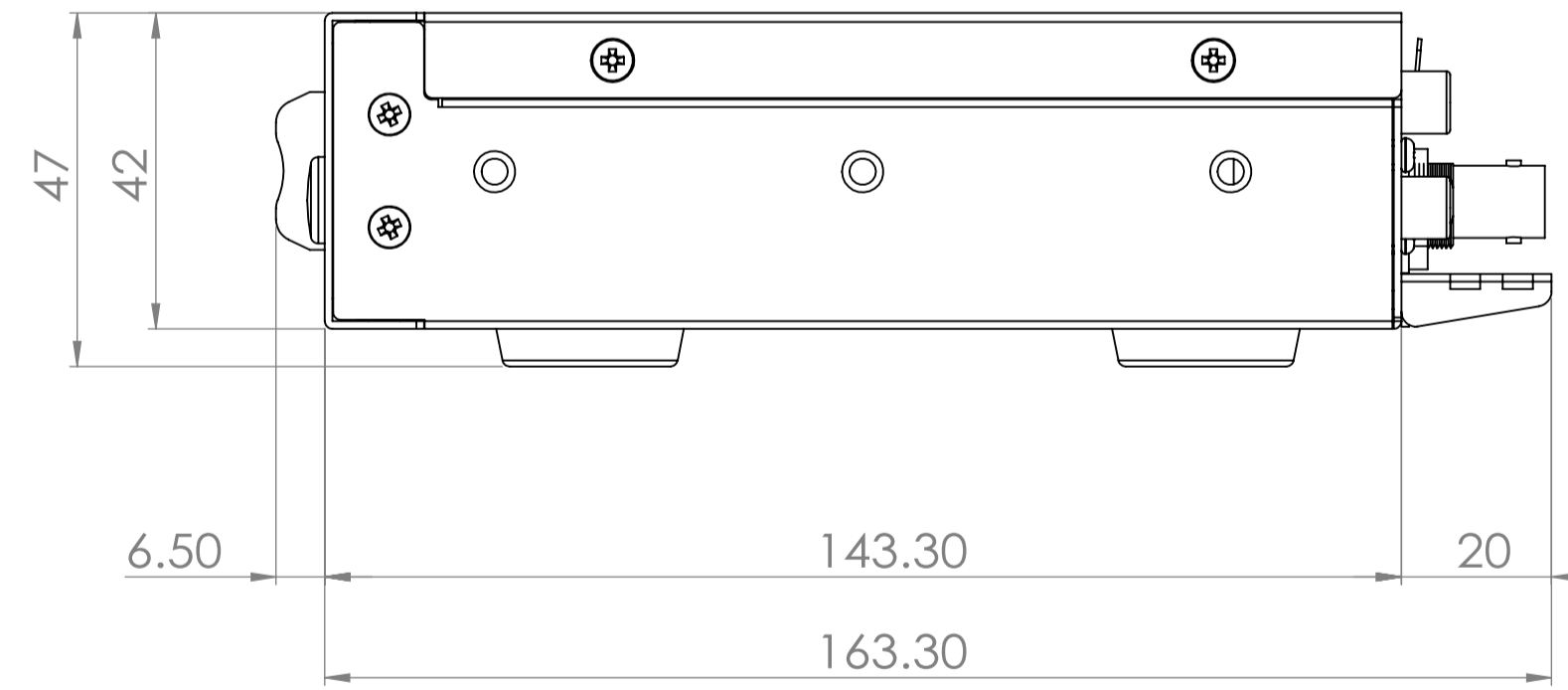
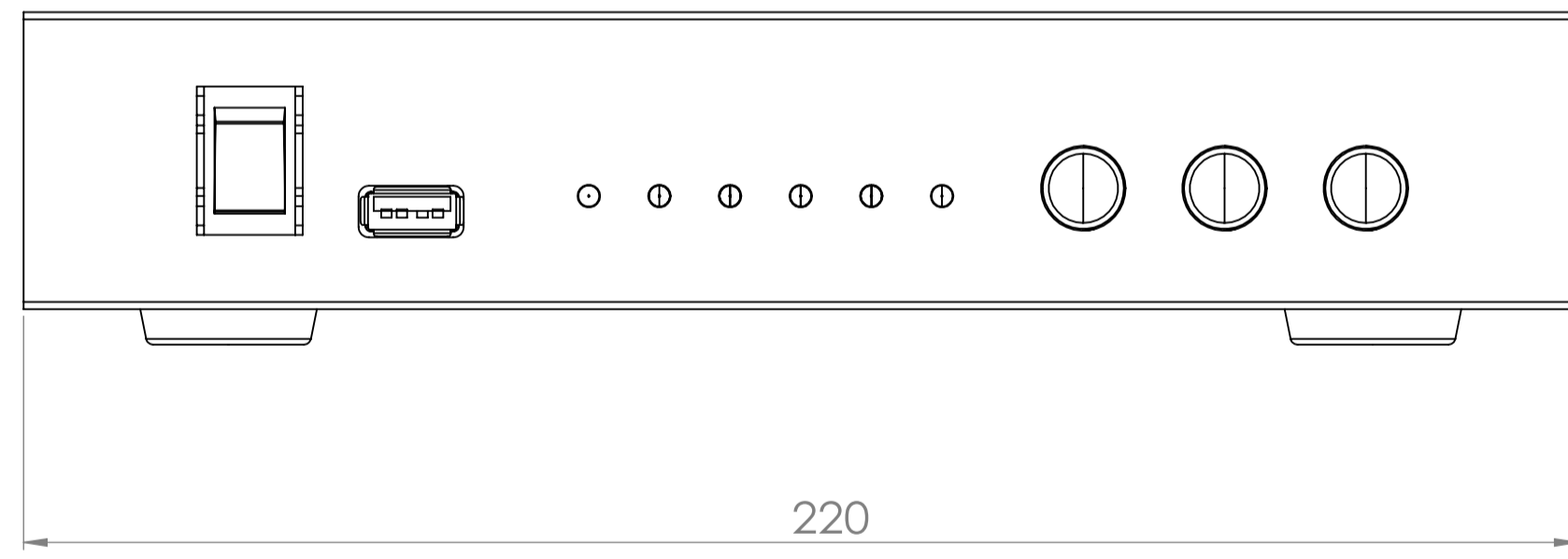
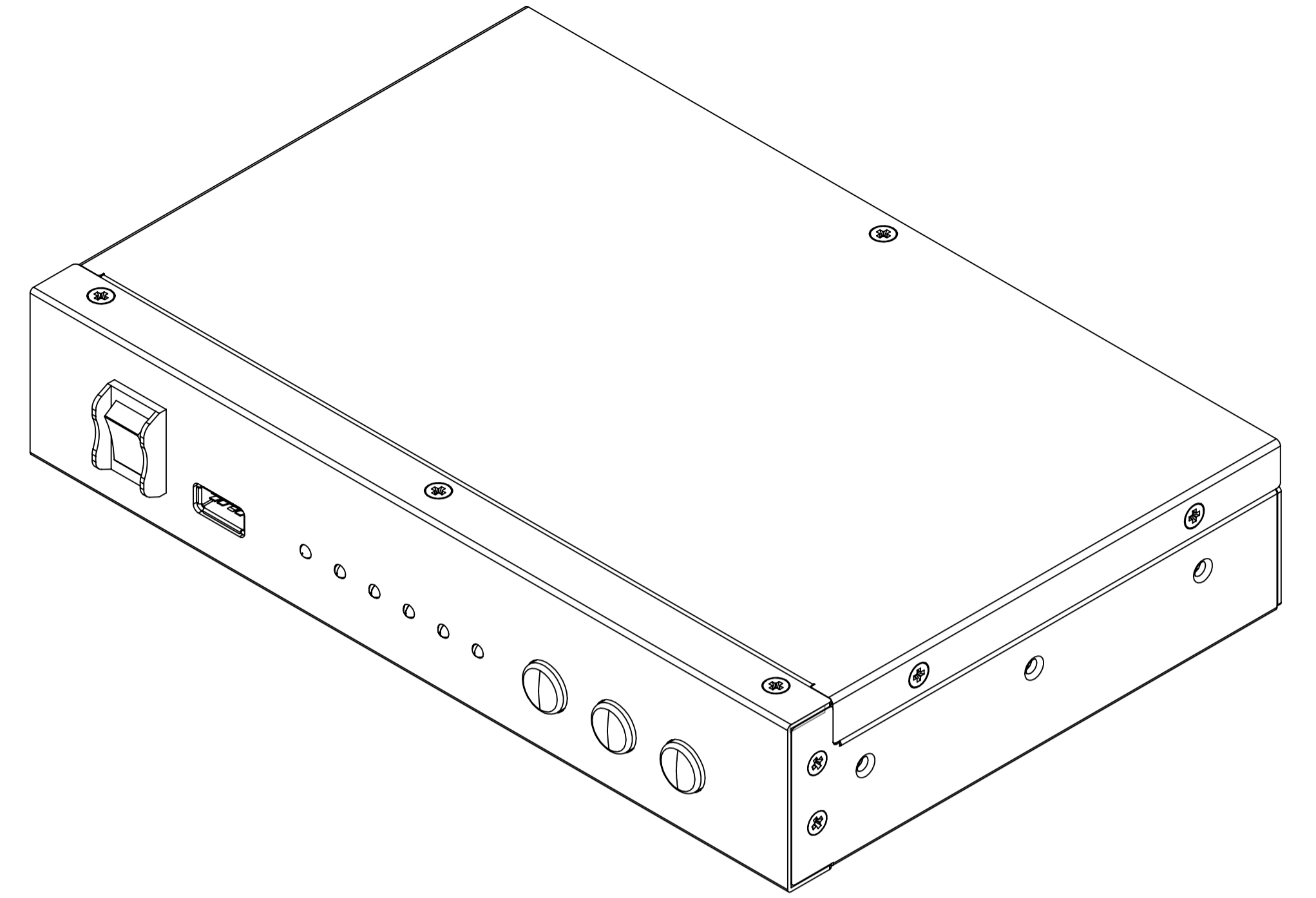
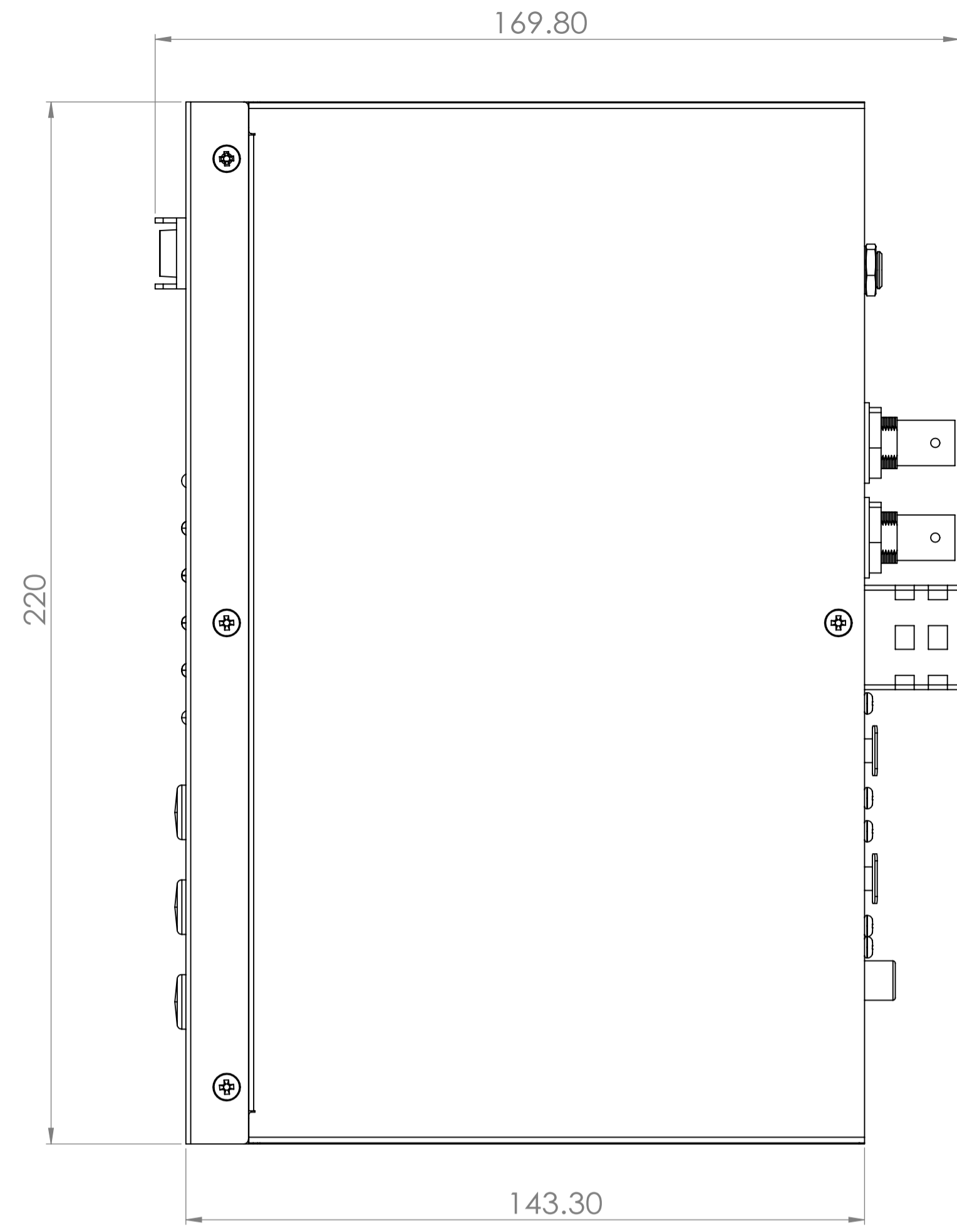


Rev	ECN NO	Description	Drawing	Approved	Date
X	XXXXXXXX	XXXXXXXX	Roger	Lake	2016/10/4

注意事項:  
 1.未標註尺寸公差請參照Common Tolerance  
 2.標註尺寸加框"○"為重點檢驗尺寸



Common Tolerance		UNLESS OTHERWISE SPECIFIED	Material: XXXXXXX	<b>datavideo</b>	
10mm以下	±0.1	DIMENSIONS ARE IN MILLIMETERS	Finish: XXXXXXX	Part Name: NVS-25 總合組合2015010	
10.01-50mm	±0.2	Angles Tolerance: ±0.5°	Part No: XXXXXXX		
50.01-150mm	±0.3	Drawing	Design	Check	Approved
150.01-300mm	±0.4	Model No: XXXXXXX		Unit: mm	Scale: 1:1
300.01mm以上	±0.5	Date: 2016/10/4		Sheet: 1 OF 1	